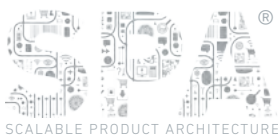


SPA 10&30W

IP65 LASER

Reliability in wash down and other wet and dusty environments



Certified by

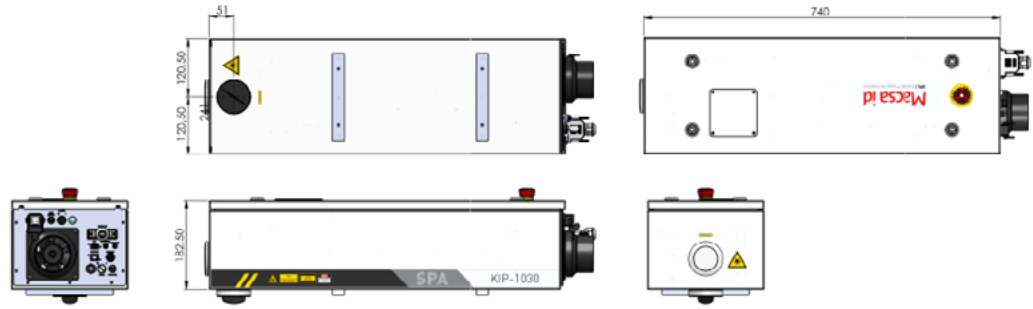


SPA 10&30W by **MACSA**

Reliable. Powerful. Affordable.

Macsa id[®]
a code you can trust

SPA 10&30W IP65



MODEL		CIP-10 PLUS			CIP-30 PLUS	
NOMINAL POWER		10W			30W	
MARKING HEAD		· CO2 sealed laser tube · R.F. technology · Wavelength: 10.6 microns / 9,3 µm / 10,2 µm				
MAINS POWER SUPPLY		125V / 230V AC 50 / 60Hz 1 Phase + N 330 VA			125V / 230V AC 50 / 60Hz 1 Phase + N 660 VA	
COOLING KIT	VORTEX KIT	2,5bar/400lpm			2,5bar/600lpm	
	COOLING DRYER KIT	2,5bar/200lpm			2,5bar/300lpm	
	FILTERED BLOWER KIT (200m³/h)	0,135 Kw			0,135 Kw	
	FILTERED BLOWER KIT (350m³/h)	0,46 Kw			0,46 Kw	
The compressed air must be clean and dry cooled.						
SYSTEM CABINET		· Laser, Control electronics, computer and scanners built into the laser system				
FOCAL SPECIFICATIONS	WORKING DISTANCE	FOCAL DISTANCE	MARKING AREA	BEAM DIAMETER WITH B.E	WITHOUT B.E	
	85 mm	95 mm	60x60 mm	<160 µm OPT	<310 µm STD	
	115 mm	125 mm	75x75 mm	<220 µm OPT	<790 µm OPT	
	190 mm	200 mm	100x100 mm	<350 µm STD	-	
	320 mm	240 mm	150x150 mm	<420 µm OPT	-	
	310 mm	320 mm	200x200 mm	<560 µm OPT	-	
	400 mm	410 mm	250x250 mm	<720 µm OPT	-	
µm = microns / STD: Standard / OPT: Optional / Built in 90° marking as standard (easily convertible in 0° marking).						
USER INTERFACE		· Touch Screen · Computer (PC)				
CONTROL		· Touch Screen with ScanLinux software · PC with Full Graphics Interface: includes Marca™ software, protection key and Ethernet cable (TCP/IP) · PC with Marca Lite: includes Marca Lite™ software, protection key and Ethernet cable (TCP/IP)				
SOFTWARE		· Scan Linux from V5.7 · Marca Software from V5.7 and higher · Marca Lite Software · Internal Bar Code · Generator				
SPEED	SCANNERS SPEED	MARKING TYPE	CHARACTERS PER SECOND			
	1500 mm/s	Static	231 c/s			
		Dynamic	207 c/s			
	2500 mm/s	Static	297 c/s			
		Dynamic	255 c/s			
	3500 mm/s	Static	333 c/s			
		Dynamic	300 c/s			
	8000 mm/s	Static	640 c/s			
		Dynamic	600 c/s			
mm/s: millimetres per second · c/s: characters per second · Speeds calculated with 2 text lines of 7 characters + 8 characters of 2.5 mm of height. Example 1: Dynamic marking with C-30 PLUS with 100x100 lens. / Aprox. speed of 71m/min, which means at least 35,000 bottles per hour.						
ACCESSORIES		· Diode marking area indicator · Encoder kit · Mounting support · Photocell kit				
ENVIRONMENTAL CONDITIONS		· 15° C (59° F) to 40° C (104° F) operating temperature · Humidity < 95% non-condensing · No vibrations · Dust-proof: Protection against ingress of solid objects · Jet-proof: Protection against ingress of water · IP65				
WEIGHT		Net weight: 14 kg Gross weight: 18 kg			Net weight: 26 kg Gross weight: 32 kg	

SPA 10&30W by MACSA

Reliable. Powerful. Affordable.



MACSA ID, S.A.

P.I. Pla de Santa Anna · 08272 Sant Fruitós de Bages · Barcelona · Spain
T. +34 93 873 87 98 · macsa@macsa.com · www.macsalaser.com

Macsa id[®]
a code you can trust