



RYNAN[®]
PRINTING

25.4mm
 **RYNAN**[®]
PRINTING
R10e with MAXe Printhead
For Large Outercase Printing 



R10e & MAXe

CONTROLLER

PRINTHEAD

Cost Effective Touch Screen Controller
With One-Inch Printhead

R10e MAXe

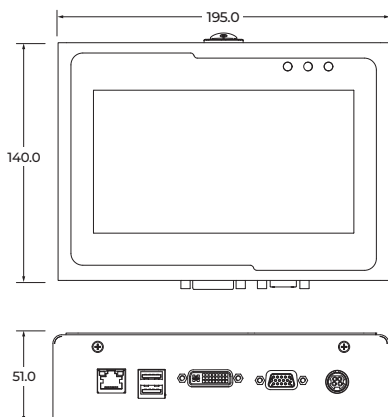


TECHNICAL SPECIFICATIONS

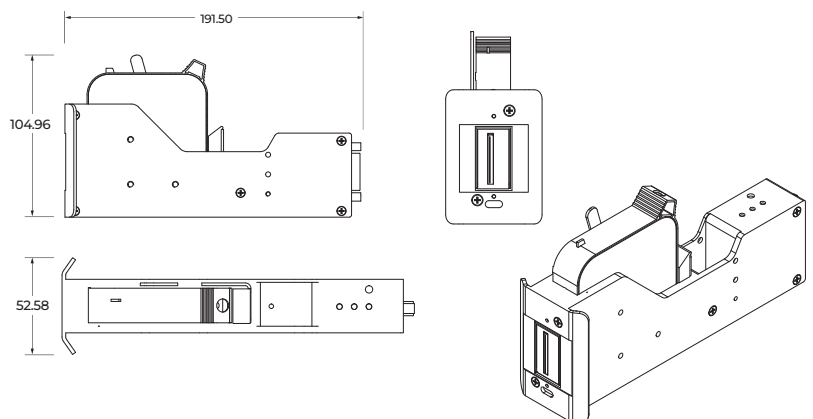
Printing Technology	One-Inch TIJ
Controller Dimensions	195 x 151.7 x 51mm
Printhead Dimensions	190.4 x 52.58 x 104.96mm
Controller Weight	1,100g
Print Head Weight	390.77g
Display	7" LCD Resistive Touch Screen
Power Supply	DC 24V 2.5A, 60W
Resolutions	Max 300 x 600 DPI
Print Speed	76m/min @ 300x300 DPI
Density	3 levels
Throw Distance	Up to 5mm
Data Cable	DVI 1.8m Standard

FEATURES

Wide Range Of Print Types	<ul style="list-style-type: none"> Text, Counter Box/Lot Datetime Expiry Date Julian Date Shiftcode Image Database
	1D & 2D Barcodes (Code 11, Code 39, Code 128, EAN, QR, Datamatrix, GS1 Datamatrix)
Printable Height	Maximum 25.4mm
External Connections	<ul style="list-style-type: none"> Built in sensor, DVI Port External Sensor, Encoder and Alarm beacon
Template Length	1.5m @ 300x300 DPI
Database	TXT, CSV, SQL, SQLite and MySQL
Advance Features	<ul style="list-style-type: none"> Free design in template up to 1 inch (25.4mm) Real-time Printing WYSIWYG (what you see is what you get) Data Upload, Backup & Recovery via USB POD (Print online data) Integrate with other devices (PLC, Camera, Checkweigher) via RJ45. Upgrade to the PRO version to use this feature
Printable Characters	Windows true fonts
Print Languages (27 Languages)	English (default), Simplified Chinese (PRC), Traditional Chinese (ROC), Czech, Spanish, Greek, Hindi, Hungarian, Hebrew, Farsi, Japanese, Korean, Urdu, Portuguese, Russian, Arabic, Slovak, Thai, Vietnamese, Turkish (and others)
System Languages (33 Languages)	English (default), German, Vietnamese, Korean, Russian, Simplified Chinese, Turkish, Portuguese, Spanish, Polish, Greek, Italian, Hebrew, Thai, French, Traditional Chinese ROC, Arabic, Czech, Dutch, Indonesian, Japanese, Bengali, Bulgarian, Croatian, Albanian, Finnish, Hungarian, Macedonian, Romanian, Serbian, Slovenian, Slovak, Ukrainian
Ink Type	Solvent Base Ink, Water Base Ink
Ink Security Technology	Private Smartchip
Operating Environment	Temperature 10 - 40°C, Humidity 40 - 80%, Non-condensing



R10e Controller



MAXe Printhead