



RYNAN[®]
PRINTING



R10e & REACHE

CONTROLLER

PRINTHEAD

Cost Effective Touch Screen Controller
With Funai TIJ Printhead

R10e REACHe

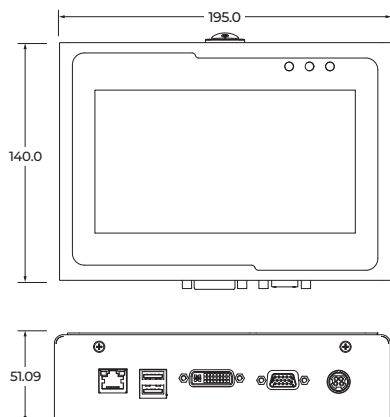
TECHNICAL SPECIFICATIONS



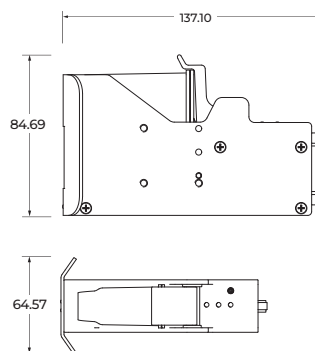
Printing Technology	Funai TIJ
Controller Dimensions	195 x 151.7 x 51mm
Printhead Dimensions	135.9 x 64.57 x 84.65mm
Controller Weight	1,100g
Print Head Weight	338.79g
Display	7" LCD Resistive Touch Screen
Power Supply	DC 24V 2.5A, 60W
Resolutions	Max 300 x 600 DPI
Print Speed	45m/min @ 300x200 DPI
Density	3 levels
Throw Distance	Up to 10mm
Data Cable	DVI 1.8m Standard

FEATURES

Wide Range Of Print Types	<ul style="list-style-type: none"> Text, Counter Box/Lot Datetime Expiry Date Julian Date Shiftcode Image Database <p>1D & 2D Barcodes (Code 11, Code 39, Code 128, EAN, QR, Datamatrix, GSI Datamatrix)</p>
Printable Height	Maximum 13.5mm
External Connections	<ul style="list-style-type: none"> Built in sensor, DVI Port External Sensor, Encoder and Alarm beacon
Template Length	1.5m @ 300x200 DPI
Database	TXT, CSV, SQL, SQLite and MySQL
Advance Features	<ul style="list-style-type: none"> Free design in template up to 0.53 inch (13.5mm) Real-time Printing WYSIWYG (what you see is what you get) Data Upload, Backup & Recovery via USB POD (Print online data) Integrate with other devices (PLC, Camera, Checkweigher) via RJ45. Upgrade to the PRO version to use this feature
Printable Characters	Windows true fonts
Print Languages (27 Languages)	English (default), Simplified Chinese (PRC), Traditional Chinese (ROC), Czech, Spanish, Greek, Hindi, Hungarian, Hebrew, Farsi, Japanese, Korean, Urdu, Portuguese, Russian, Arabic, Slovak, Thai, Vietnamese, Turkish (and others)
System Languages (33 Languages)	English (default), German, Vietnamese, Korean, Russian, Simplified Chinese, Turkish, Portuguese, Spanish, Polish, Greek, Italian, Hebrew, Thai, French, Traditional Chinese ROC, Arabic, Czech, Dutch, Indonesian, Japanese, Bengali, Bulgarian, Croatian, Albanian, Finnish, Hungarian, Macedonian, Romanian, Serbian, Slovenian, Slovak, Ukrainian
Ink Type	Solvent Base Ink
Ink Security Technology	Private Smartchip
Operating Environment	Temperature 10 - 40°C, Humidity 40 - 80%, Non-condensing



R10e Controller



REACHe Printhead

